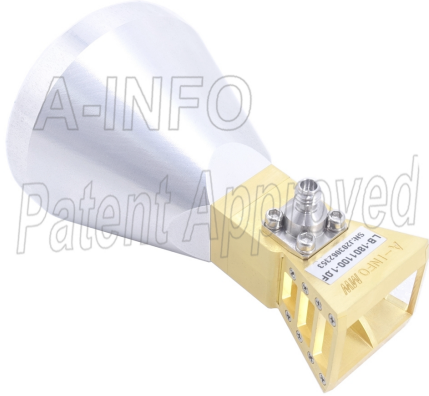


For reference only. See data sheet for the detailed specifications.

Technical Specification



Frequency Range(GHz)	18.0 – 110.0
Gain(dBi)	14 Typ.
Polarization	Linear
3dB Beamwidth(deg)	E Plane: 66 - 11
	H Plane: 59 - 9
Cross Pol. Isolation(dB)	30 Typ.
VSWR	1.5:1 Typ.
	2.5:1 Max.
Connector	1.0mm-Female
Power Handling(W CW)	4 Max.
Material	Al
Finish	Gold Plated and Chemical Conversion Coating
Size(mm)	41.3 x 41.3 x 65
Net Weight(Kg)	0.10 Around

PATENT ID (US)

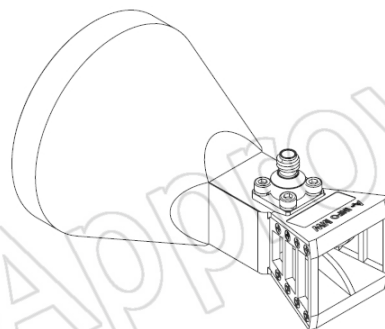
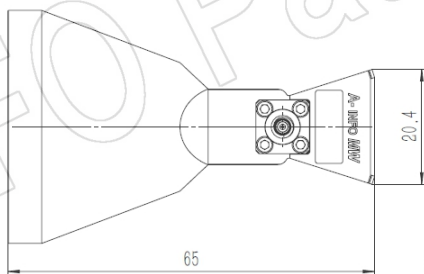
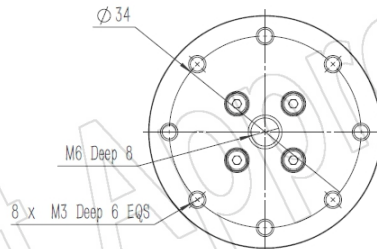
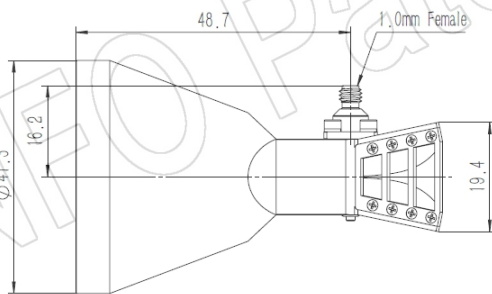
US 11442093, US D978843

PATENT ID (China)

ZL202020182917.9, ZL202030087711.3

Outline Drawing (Size: mm)

1.0mm-Female Output (P/N: LB-1801100-1.0F)



AINFO Inc.

China(Beijing):
China(Chengdu):
USA :

Tel: (+86) 10-6266-7326,
Tel: (+86) 28-8519-2786,
Tel: (+1) 949-639-9688,

(+86) 10-6266-7327
(+86) 28-8519-3044
(+1) 949-639-9608

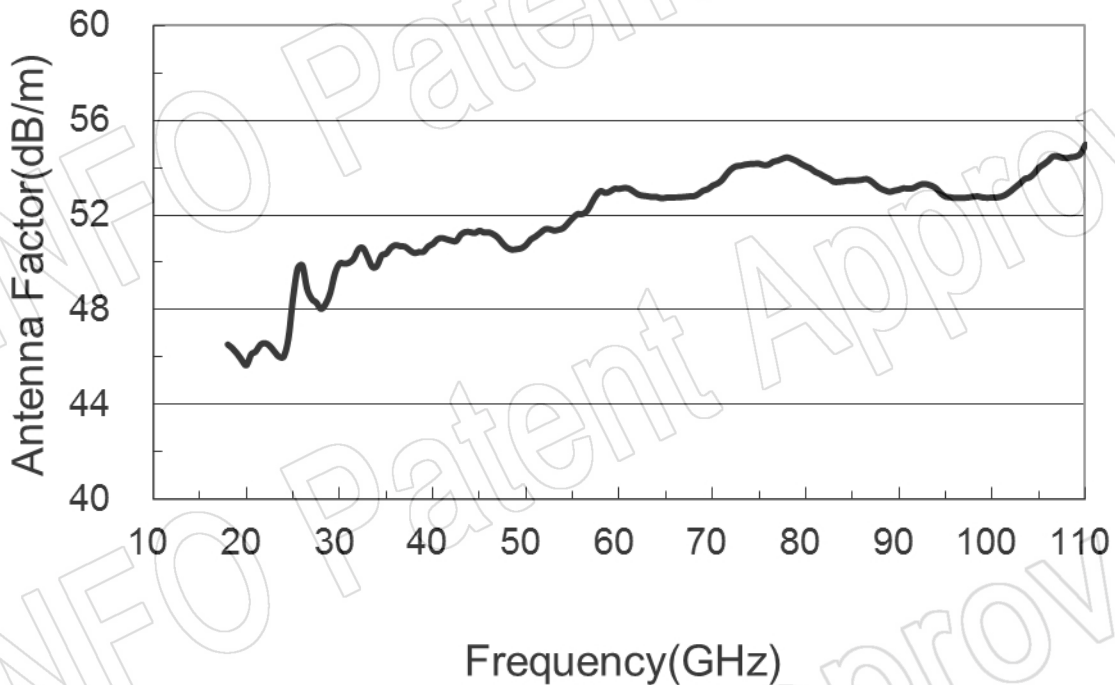
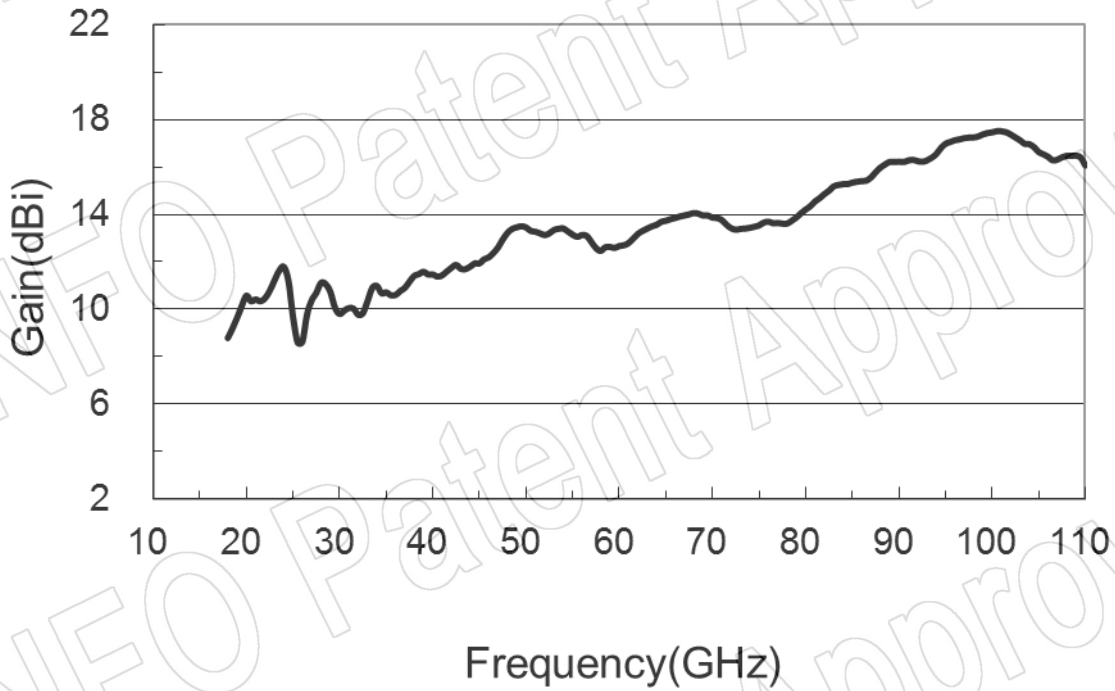
Fax: (+86) 10-6266-7379
Fax: (+86) 28-8519-3068
Fax: (+1) 949-639-9670

Page 1 of 6

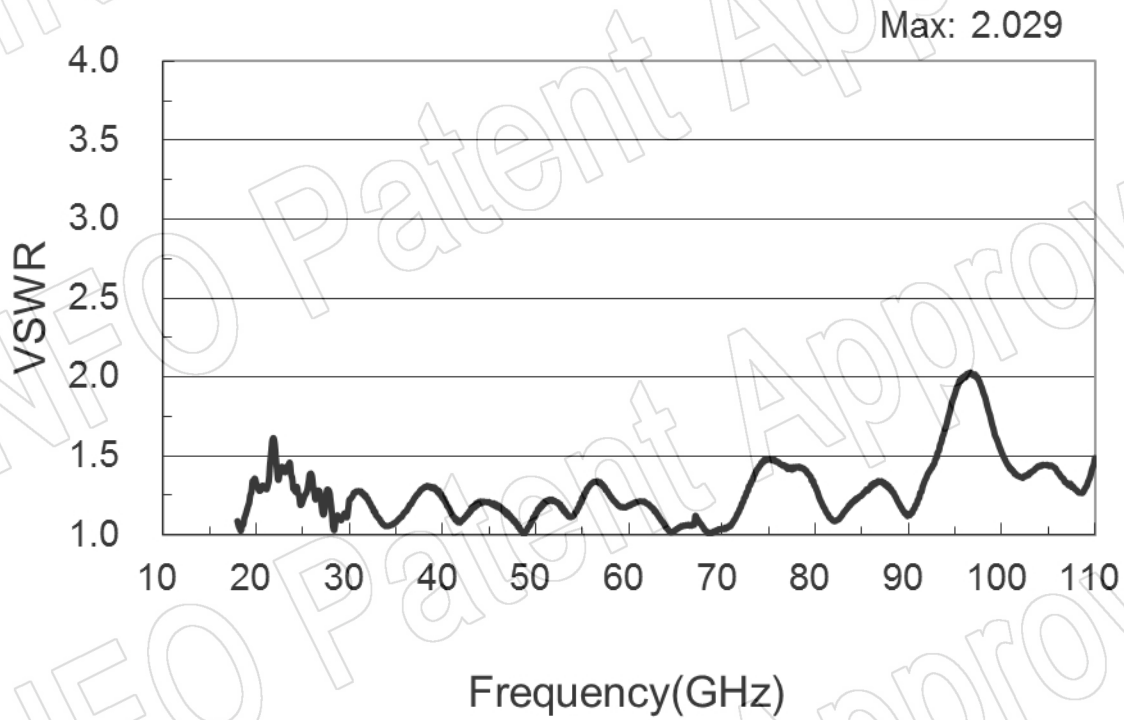
Website: www.ainfoinc.com
Email: sales@ainfoinc.com

Test Results

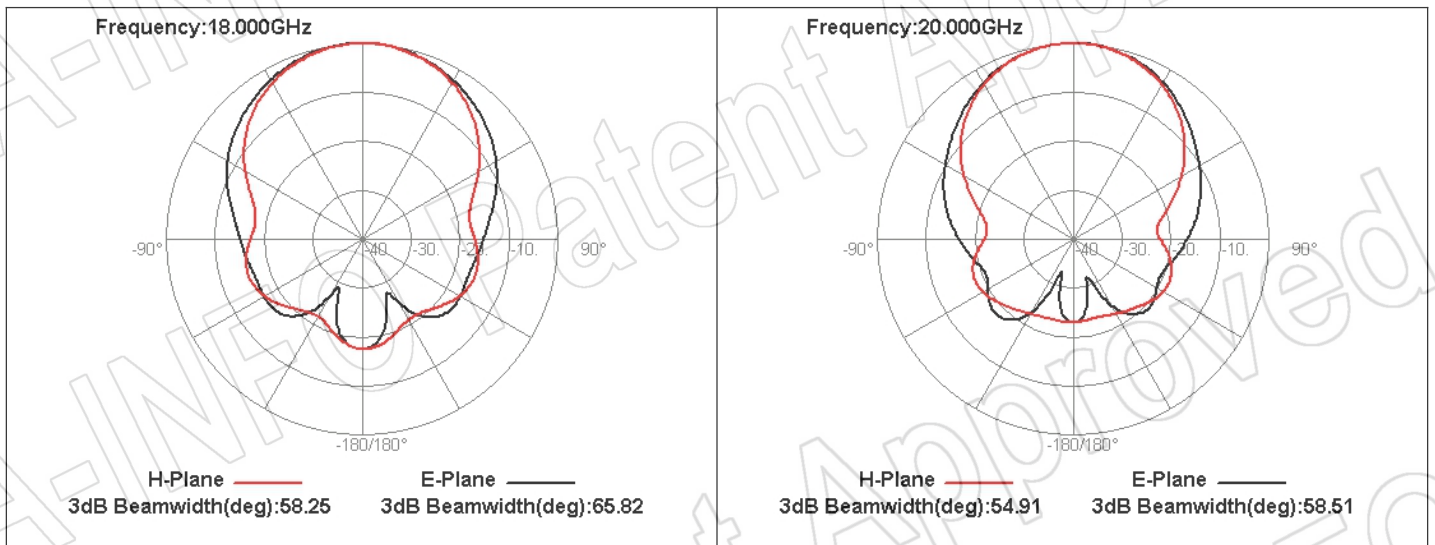
1. Gain & Antenna Factor



2. VSWR



3. Pattern



AINFO Inc.

China(Beijing):
China(Chengdu):
USA :

Tel: (+86) 10-6266-7326,
Tel: (+86) 28-8519-2786,
Tel: (+1) 949-639-9688,

(+86) 10-6266-7327
(+86) 28-8519-3044
(+1) 949-639-9608

Fax: (+86) 10-6266-7379
Fax: (+86) 28-8519-3068
Fax: (+1) 949-639-9670

Website: www.ainfoinc.com
Email: sales@ainfoinc.com

